

# Mini Spec Sheet



## Up/Down/Cross Converter with SD Standards Conversion

The mini is the best choice for real-time format conversion, noise reduction and frame rate conversion in an affordable and compact stand-alone package. The mini offers Teranex award winning picture quality in one of the most flexible, affordable and user-friendly format and standards converters on the market. Teranex image processing technology delivers unsurpassed quality for demanding video professionals.

The mini is packed with proprietary Teranex technology yielding unsurpassed results including:

- Flexview for smart 4:3/16:9 aspect ratio conversion
- PixelMotion De-interlacing for the highest quality format conversion
- Multi-Directional Diagonal Filtering, drastically reducing jaggies
- Temporal Recursive Noise Reduction minimizing video noise
- Per-Pixel Video/Film detection assuring correct output cadence

In addition to superb image processing quality, the Teranex mini delivers the world of real-time processing. Real-time conversion is a huge time saver, especially when compared to CPU-limited, non-real-time scaling and frame rate conversion available with non-linear editing and video effects software applications.

### Features:

- Up/Down/Cross Conversion & SD Linear Standards Conversion
- Full Proc Amp Controls
- 8 Channels of Embedded Audio
- Web Server Control & Ethernet Software updating

### Typical mini Applications:

- NLE Real-time SD/HD Ingesting
- SD Standards Conversion

### Supplied Accessories:

- AC Power Supply (120/240VAC-to-12VDC converter with 3-Pole Plug-USA)
- User Manual

## Supported Format Conversions

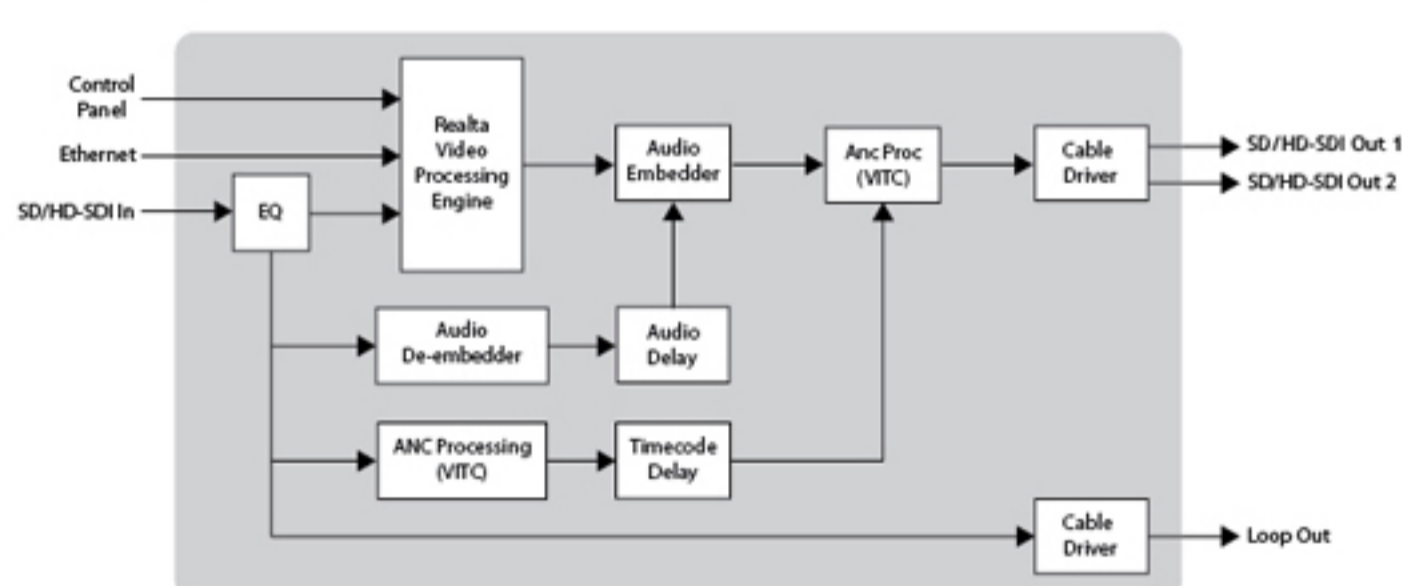
Input	Output	Input	Output
480i59.94	480i59.94 576i50 720p59.94 1080i59.94 1080sf23.98	576i50	480i59.94 576i50 720p50 1080i50
720p50	576i50 720p50 1080i50	720p59.94	480i59.94 720p59.94 1080i59.94 1080sf23.98
1080i50	576i50 720p50 1080i50	1080i59.94	480i59.94 720p59.94 1080i59.94 1080sf23.98
1080sf23.98	480i59.94 720p59.94 1080i59.94 1080sf23.98		

## Web Interface



(Click Image to Enlarge)

## Block Diagram



(Click Image to Enlarge)

## Specifications

<b>Video &amp; Audio I/O</b>	
	- 1 x BNC SD/HD-SDI, 10-bit serial digital inputs at 1.485Gb/s - SMPTE 292-1997, audio embedding per SMPTE 299m or 270Mb/s - Rec 601 and audio embedding per SMPTE 272m - 1 x BNC SD/HD-SDI Active Loop out - 2 x BNC SD/HD-SDI, 10-bit serial digital outputs at 1.485Gb/s - SMPTE 292-1997, audio embedding per SMPTE 299m or 270Mb/s - Rec 601 and audio embedding per SMPTE 272m
<b>Control</b>	
Web	Web Server Interface
OSD	On Screen Display (display over output video)
Ethernet	RJ45
<b>Miscellaneous</b>	
Power	12V DC, 15W (via 120/240VAC-to-12VDC converter)
Temperature	0 degrees C to 50 degrees C
Dimensions	1.52" H x 5" W x 8.5" D 39mm H x 127mm W x 216mm D
Weight	1.8lbs / 0.8kg

\*Above specifications are for second generation Mini only